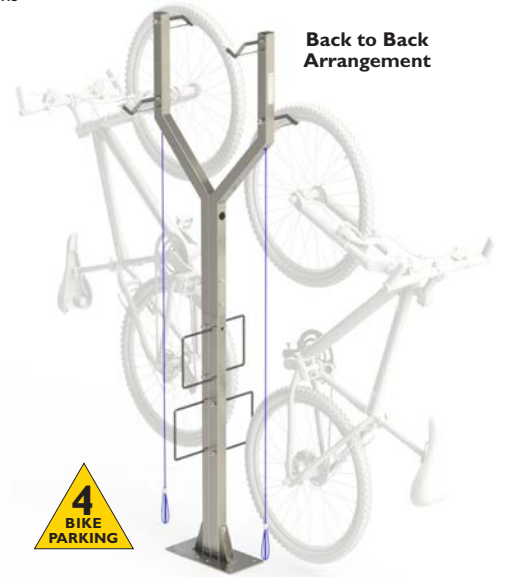
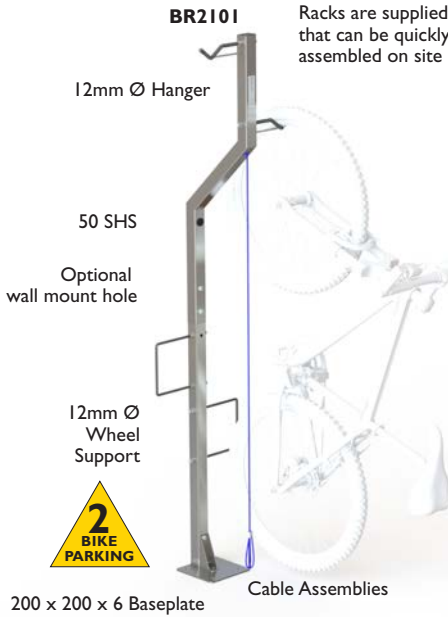


Bicycle Racks > Vertical

BR2101

Racks are supplied flat packed in two sections that can be quickly bolted together and assembled on site

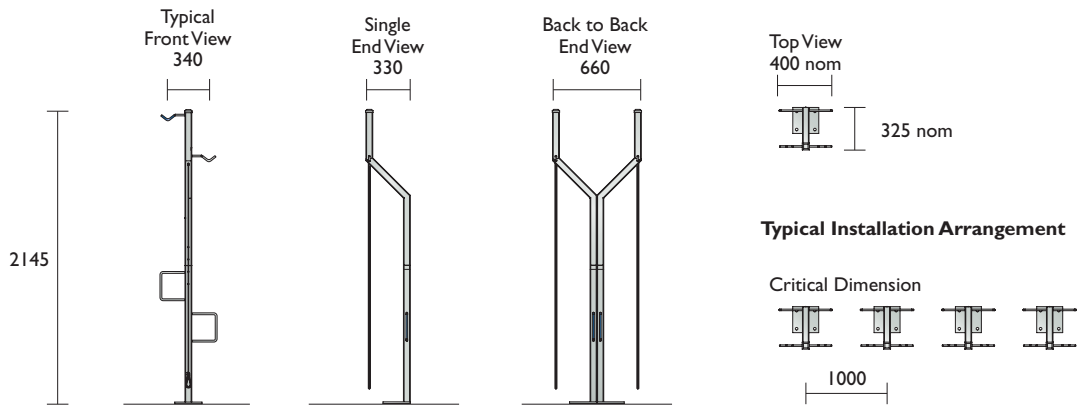


Back to Back Arrangement

POPULAR VERTICAL RACK

**PLEASE NOTE:**  
This product comes in galvanised finish as standard. However, it can be powder coated in a range of colours at an additional cost to suit requirements.

Back to Back Multiple Unit Arrangement  
16 bicycle capacity shown



**Material Specifications (General)**  
50 x 50 x 2.5mm SHS / 12Ø Rod / 6mm MS Plate / Hot dipped galvanised  
PVC coated steel cable assembly

