



BIKE RAILS

Models

Hitching Rails

A diversity of models and styles designed to aesthetically enhance the location. Manufactured from flat steel or pipe.

Multiple Hitching Rails

Alleviates the need for concrete footings and expensive installations. Multiple hitching rails can also be installed directly onto masonry and paved surfaces avoiding the need to remove and re-lay pavers after installation.

> Refer p22 for further details.

Hanging Rails

Fixed to walls or ceilings in basements, garages and storerooms – or any area where floor space is limited. Also suitable for under stairs or along corridors. Hanging Rails help maximise utilisation of available area set aside for bicycle parking.

Custom Designs

Please contact your nearest sales office for more information.

Bicycle rail advantages

- Extremely versatile method of bicycle parking
- Can be located close to cyclist's destination
- Best suited for short term parking

Applications

- Footpaths
- Recreation centres
- Front entrances
- Retail shopping centres

Materials

Securabike Bicycle Rails are manufactured from high strength mild steel or aesthetically attractive stainless steel. While most models are available in both materials, please check the specification details on the product you are considering.

- Available in mild steel or stainless steel
- Mild steel units are available as a standard product in hot dipped galvanised finish. They can be electrostatically powder coated at an additional cost if required.
- Stainless steel units are available as a standard product in lished finish or electropolished at an additional cost.
- Polypropylene plastic sleeve protection is available as an option on a number of models. Protects bicycle paintwork by preventing metal to metal contact.

Introduction 1

Bicycle Facts 4

Design Guide 6

Product Selection 7

Consulting 12

Installation 13

Security Classes 14

PRODUCT RANGE

Rails 15

Racks 23

Repair Stations 46

End-of-Journey 50

Cages 64

Lockers 68

Shelters 74

Scooters Racks 78

Other Products 80

AS2890.3 Overview 82

Packaging 85

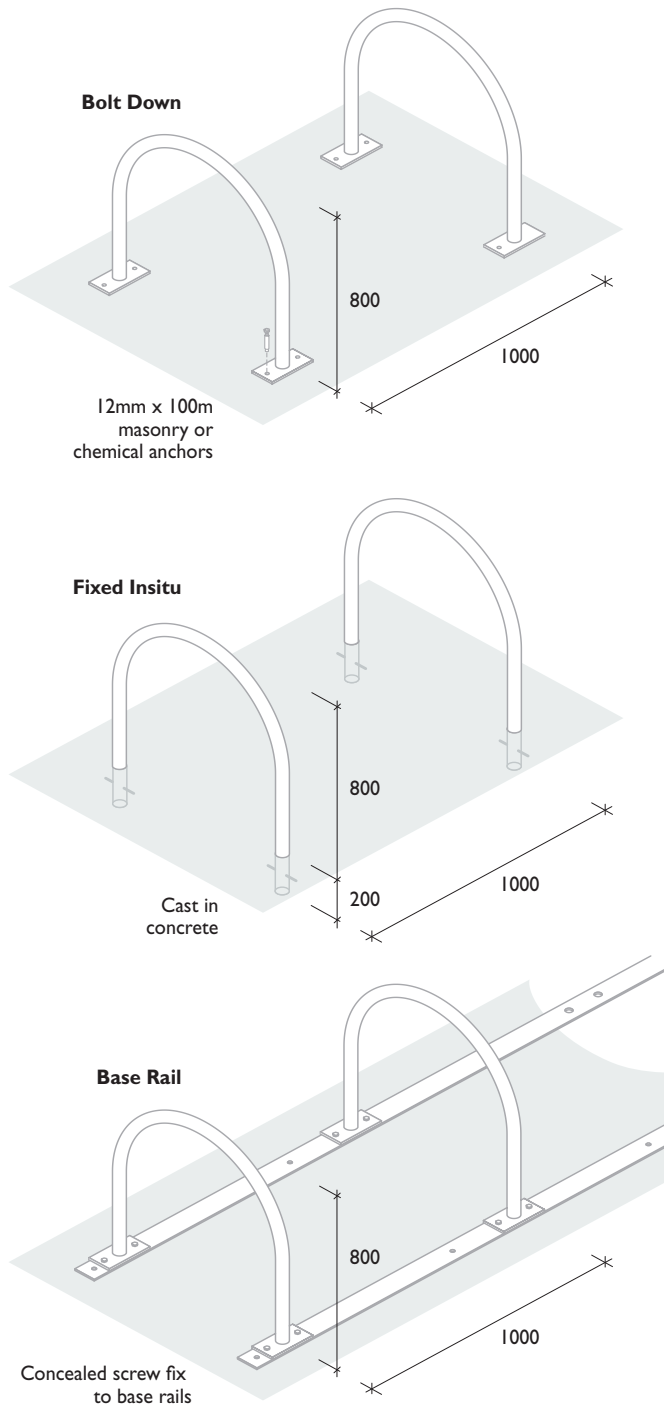
Index 86

Bicycle Rails

Most hitching rails are supplied complete with 200mm x 100mm rectangular base plates, allowing for installation by one of 3 methods:

- Bolt down using masonry anchors
- Fixed insitu (cast in)
- Connection to base rails

The main advantage of using the base rail system is that it eliminates the need for concrete footings



and substantially reduces installation costs. It also allows the unit to be relocated with minimum effort and cost. Security is maintained by the overall weight of the combined system.

While bicycle hitching rails potentially provide parking for two bicycles (one either side), in practice they usually only achieve one bicycle per rail, as cyclists are often reluctant to secure their bicycle if another is already tethered to the rail.

All bicycle frames that allow a bicycle's frame and both wheels to be secured, as well as being spaced at 1000mm apart, will meet the requirements of AS2890.3.

Bicycle Rails

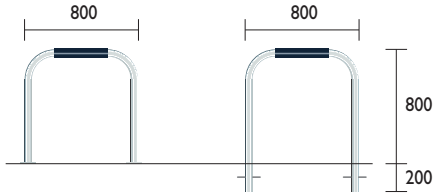
Product Range

1300 780 450

BR11B / F

BR11B
Galvanised
SBRI1B
Stainless Steel

BR11F
Galvanised
SBRI1F
Stainless Steel



Plastic sleeve protects bicycle

40NB Pipe

200 x 100 x 6mm Baseplate
(masonry anchors included on baseplate models)



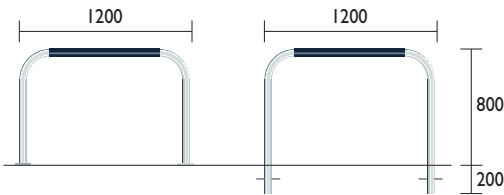
MOST POPULAR MODEL

PLEASE NOTE:
Stainless steel products comes in lished finish as standard or it can be electropolished at an additional cost.

BR12B / F

BR12B
Galvanised
SBRI2B
Stainless Steel

BR12F
Galvanised
SBRI2F
Stainless Steel



Plastic sleeve protects bicycle

40NB Pipe

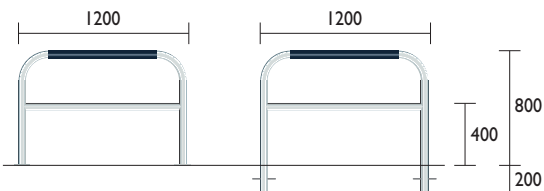
200 x 100 x 6mm Baseplate
(masonry anchors included on baseplate models)



BR120B / F

BR120B
Galvanised
SBRI20B
Stainless Steel

BR120F
Galvanised
SBRI20F
Stainless Steel



Plastic sleeve protects bicycle

40NB Pipe

32NB (38mm) Pipe

200 x 100 x 6mm Baseplate
(masonry anchors included on baseplate models)



Material Specifications (General)

Mild steel 40NB (50.0) x 1.5mm Light duty pipe / Hot dipped galvanised
Stainless steel 40NB (50.0) x 1.5mm Grade 304 stainless steel pipe / Linished finish

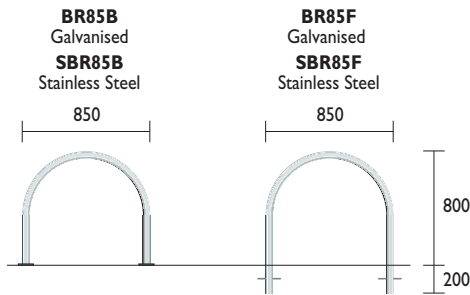


Bicycle Rails

BR85B / F

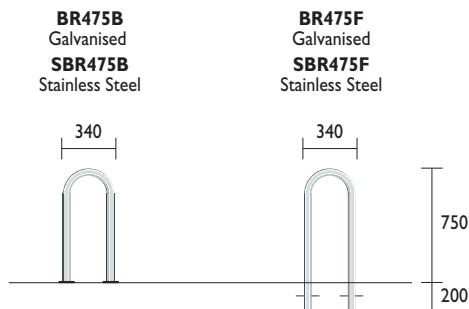
BIGGEST SELLER
in stainless steel

PLEASE NOTE:
Stainless steel products comes in finished finish as standard or it can be electropolished at an additional cost.



200 x 100 x 6mm Baseplate
(masonry anchors included on baseplate models)

BR475B / F



200 x 100 x 6mm Baseplate
(masonry anchors included on baseplate models)

Material Specifications (General)

Mild steel 40NB (50.0) x 1.5mm Light duty pipe / Hot dipped galvanised
Stainless steel 40NB (50.0) x 1.5mm Grade 304 stainless steel pipe / Linished finish



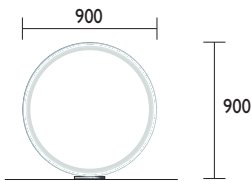
Bicycle Rails

Product Range

1300 780 450

BR00B

BR00B
Galvanised
SBR00B
Stainless Steel



40NB Pipe

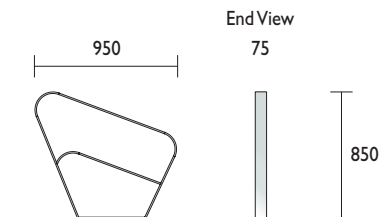


200 x 200 x 6mm Baseplate

PLEASE NOTE:
Stainless steel products comes in finished finish as standard or it can be electropolished at an additional cost.

Ribbon RBR98

RBR98
Galvanised
SRBR98
Stainless Steel



Award Winning Design

Material Specifications (General)

BR00B	Galvanised	40NB (50.0) x 3.2mm Heavy duty galvanised pipe
BR00B	Stainless steel	40NB (50.0) x 3.2mm Grade 304 Heavy duty stainless steel pipe / Linished finish
RBR98	Mild steel	75 x 10mm Mild steel flat bar / Hot dipped galvanised
RBR98	Stainless steel	75 x 10mm Stainless flat bar / Linished



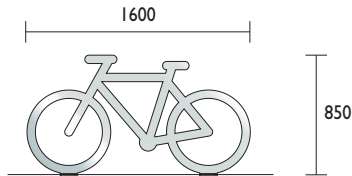
Bicycle Rails

BR1600B

BR1600B
Galvanised
SBR1600B
Stainless Steel

PLEASE NOTE: Plate bike rails may not be visually suitable for all footpath installations where pedestrians will approach from the rail's narrow side.

PLEASE NOTE: Stainless steel products comes in linished finish as standard or it can be electropolished at an additional cost.



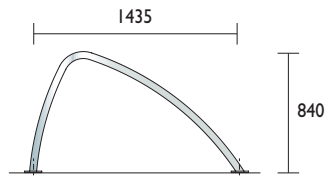
10mm Plate



200 x 100 x 6mm Baseplate

BR04B

BR04B
Galvanised
SBR04B
Stainless Steel



32NB Pipe

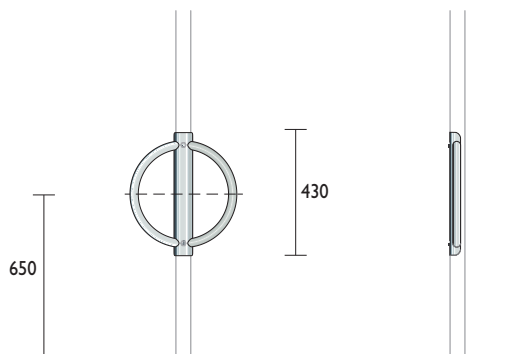


200 x 100 x 6mm Baseplates

PPR50

Front View

Side View



25NB Pipe



Units are designed to bolt-fix to existing 40NB or 50NB posts using M12 bolts & shear nuts

Post Mounted

Material Specifications (General)

Mild steel 10mm Mild steel plate / 32NB (38.1) x 1.5mm Galvanised pipe
Stainless steel 10mm Stainless steel plate / 32NB (38.1) x 1.5mm Stainless steel pipe / Linished finish
PPR50 25NB x 1.5mm Galvanised pipe / 25NB x 1.5mm Stainless steel pipe

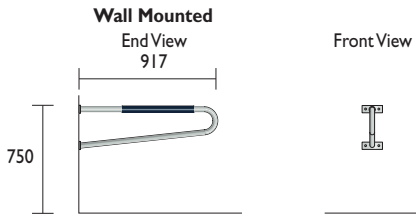


Bicycle Rails > Post/Wall Mounted

Product Range

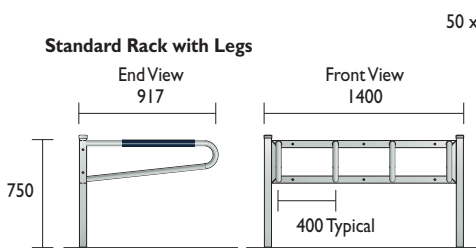
1300 780 450

BRX03W Hitching Rail

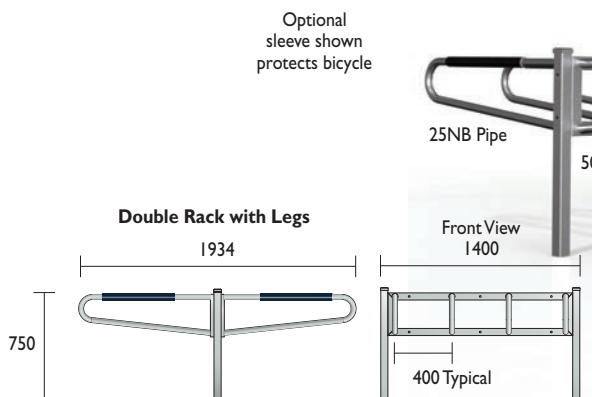


PLEASE NOTE:
Stainless steel products comes in finished finish as standard or it can be electropolished at an additional cost.

BRX03L Hitching Rail



BRX03D Hitching Rail



Material Specifications (General)

Frame 50 x 50 x 4mm SHS / Hot dipped galvanised
Supports 25NB x 1.5mm Pipe / Hot dipped galvanised



Multiple Hitching Rail
HRB2/3/4/5

1300 780 450

Many of Securabike's Bicycle Rails are supplied as individual units that can be bolted to Base Rails to accommodate 2, 3, 4 or 5 units. The system eliminates the need to provide multiple concrete footings and is ideal for use over paved or bitumen surfaces.

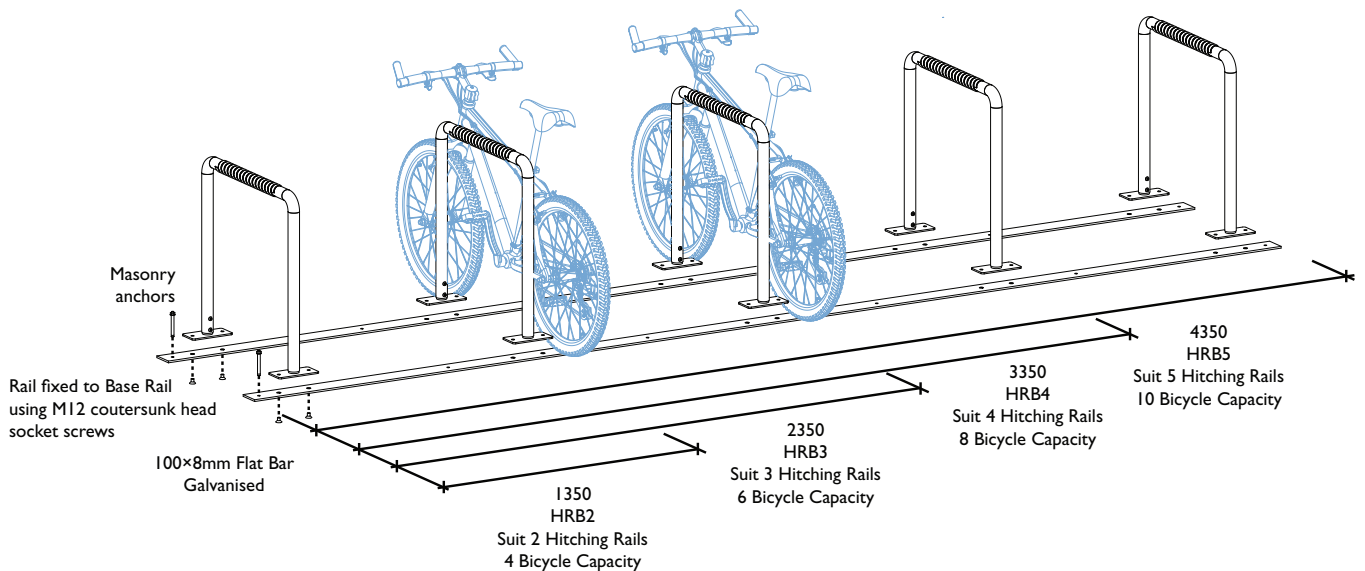
PLEASE NOTE: Stainless steel products comes in finished finish as standard or it can be electropolished at an additional cost.

Typical Installation Example
BR11B Bicycle Rail
illustrated



HRB5 illustrated
Suits 5 Hitching Rails
10 Bicycle Capacity

NOTE Also available in stainless steel. Add "S" to the prefix model no. when ordering (SHRB)



Bicycle rails should be installed at 1000 centres to conform to AS2890.3 requirements allowing easy access for cyclists.

Material Specifications (General)

Mild steel 100 x 8mm Mild steel flat bar / Galvanised
Stainless steel 100 x 8mm Stainless flat bar / Linished finish

